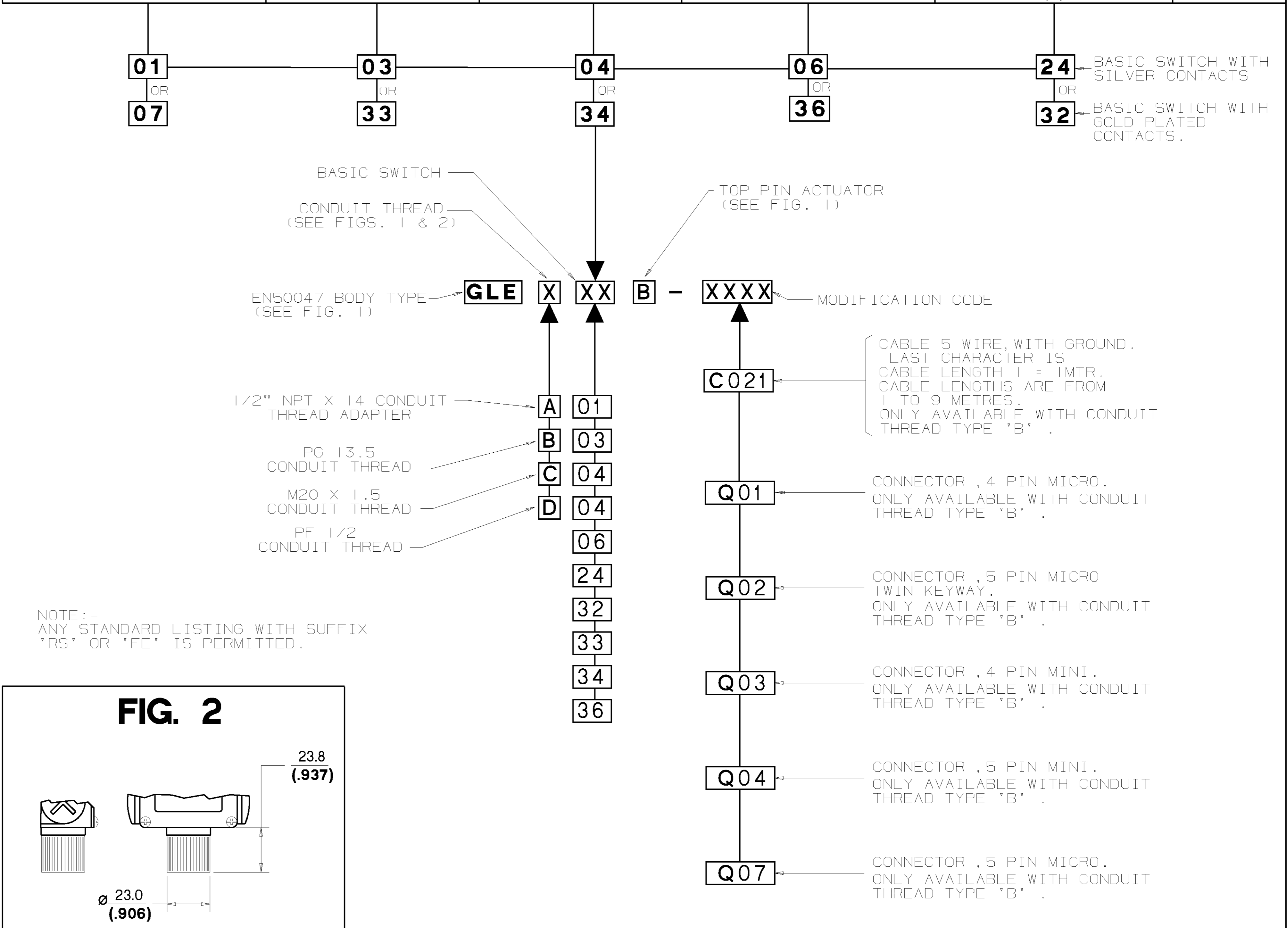
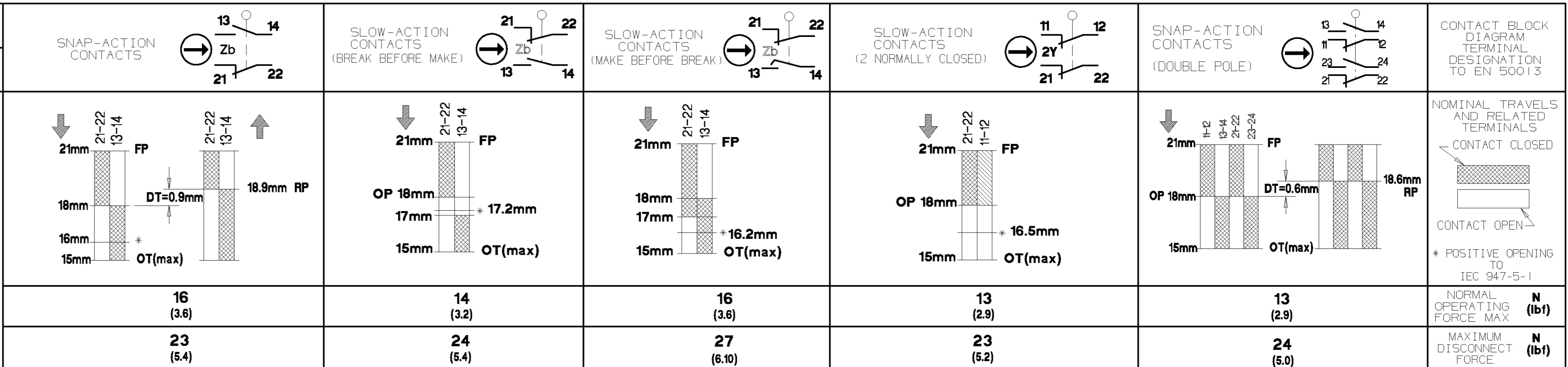
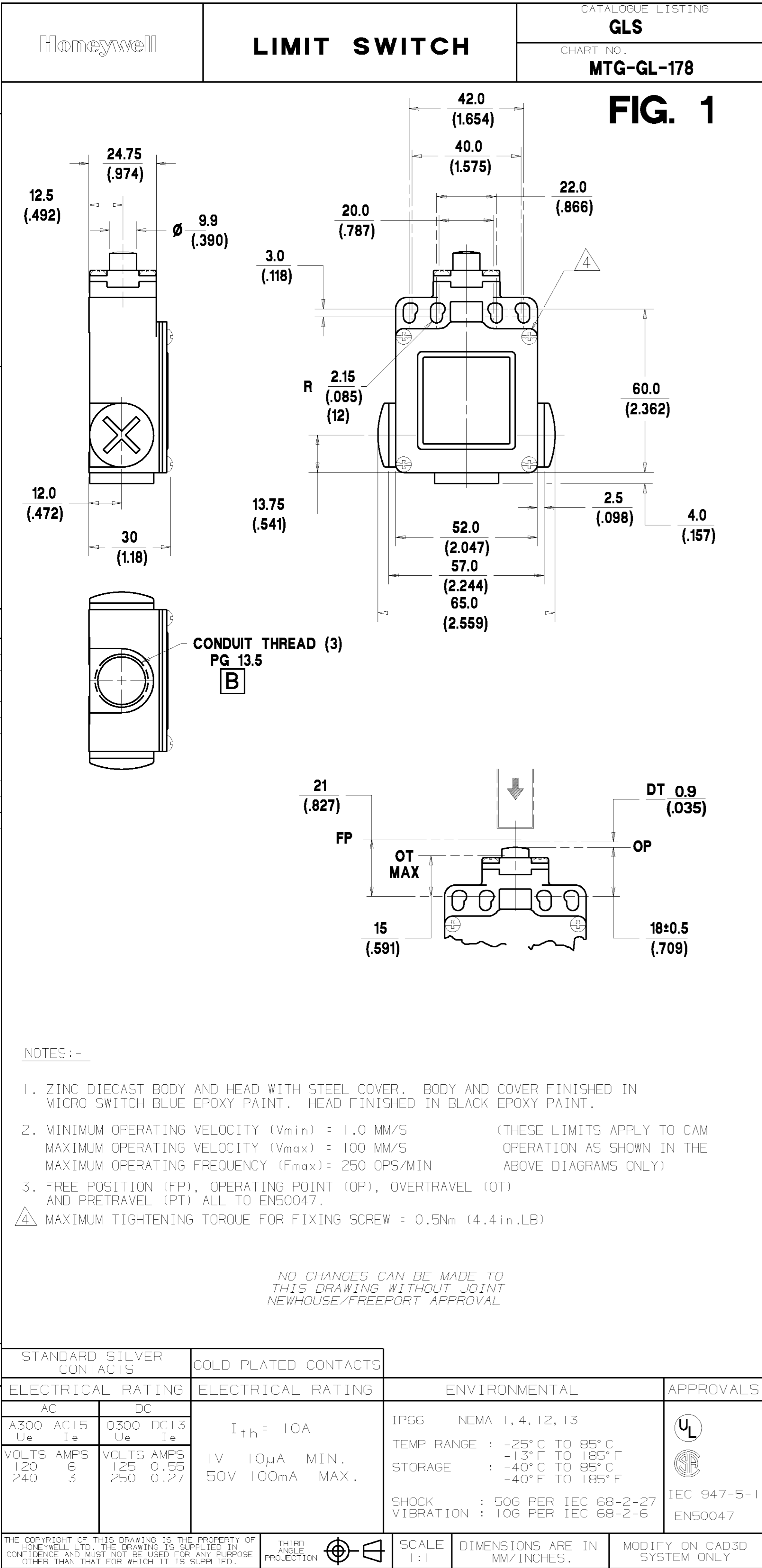


MTG-GL-178
 REPLACES
 DRAWING NUMBER
 A018-38
 RELEASE NUMBER
 A018-38
 REVISIONS
 5/9/96
 A018-276
 6/12/96
 A018-293
 7/7/97
 CO-000083
 8/8/97
 CO-000106
 9/CO/395
 IW 6/98
 DRAWN
 M. LOCH
 3/93
 CHECK
 I. WEIR
 3/93
 DESIGN
 J. BOYD
 3/93
 AUTHOR/N
 P. TRICKETT
 3/93



STANDARD SILVER CONTACTS	GOLD PLATED CONTACTS	ENVIRONMENTAL		APPROVALS
ELECTRICAL RATING	ELECTRICAL RATING	ENVIRONMENTAL		APPROVALS
AC	DC	ENVIRONMENTAL		APPROVALS
A300 AC15 Ue 1e	O300 DC13 Ue 1e	IP66 NEMA 1, 4, 12, 13		UL IEC 947-5-1 EN50047
VOLTS AMPS 120 6 240 3	VOLTS AMPS 125 0.55 250 0.27	TEMP RANGE : -25°C TO 85°C -13°F TO 185°F STORAGE : -40°C TO 85°C -40°F TO 185°F		
I _{th} = 10A		SHOCK : 50G PER IEC 68-2-27 VIBRATION : 10G PER IEC 68-2-6		
IV 10µA MIN. 50V 100mA MAX.				

SCALE 1:1

DIMENSIONS ARE IN MM/INCHES.

MODIFY ON CAD3D SYSTEM ONLY

THE COPYRIGHT OF THIS DRAWING IS THE PROPERTY OF HONEYWELL LTD. THE DRAWING IS SUPPLIED IN CONFIDENCE AND MUST NOT BE USED FOR ANY PURPOSE OTHER THAN THAT FOR WHICH IT IS SUPPLIED.

THIRD ANGLE PROJECTION

NOTE:- FOR CONNECTION DIAGRAMS AND ADDITIONAL ELECTRICAL, ENVIRONMENTAL & DIMENSIONAL INFORMATION SEE DRAWING GL-49212.

NOTE:- CABLE AND CONNECTOR WILL BE FITTED TO BOTTOM EXIT CONDUIT ONLY. OTHER OPTIONS CUSTOMER SPECIAL 'N' LISTING.